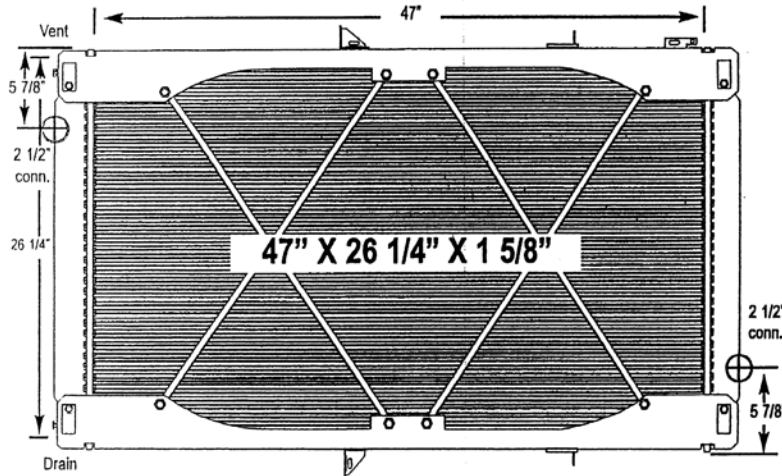


8000-16BT Freightliner Truck - Argosy Model

All-Metal Complete Radiator



Notes:

O.E. frame is shown as reference, is not included with radiator purchase.

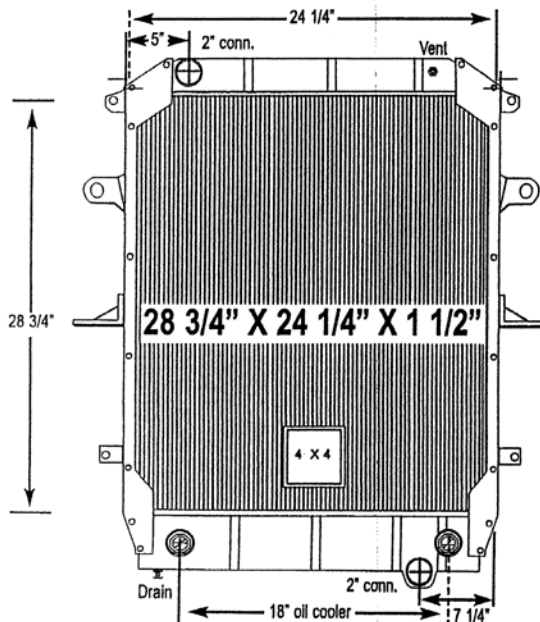
O.E. frame will bolt on to radiator tanks.

Mounting holes are located on all four corners.

Verify all connection locations, sizes and core depth. O.E. core specifications are listed, replacement measurements may vary slightly.

8000-17ST Freightliner School Bus

All-Metal Complete Radiator



Notes:

O.E. frame shown as reference, is not included with radiator purchase.

The 4" X 4" crank box is 4" up from the bottom header, centered.

Mounting holes are located on all four corners.

Outlet tank contains an 18" oil cooler.

The O.E. frame must be used.

Verify all connection locations, sizes and core depth. O.E. core specifications are listed, replacement measurements may vary slightly.