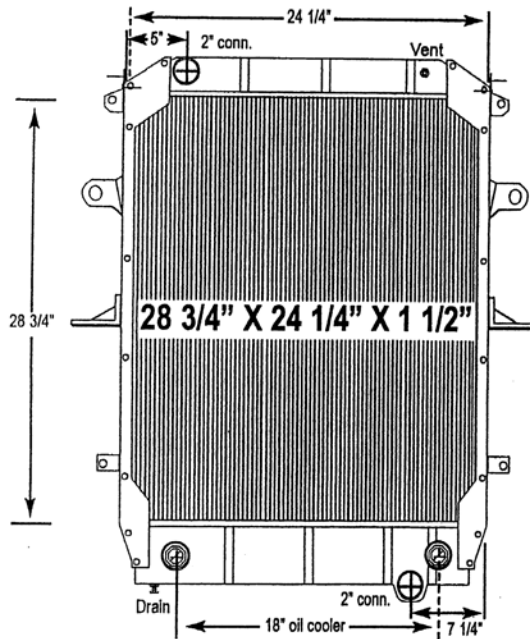


8000-10ST Freightliner School Bus

All-Metal Complete Radiator



Notes:

O.E. frame shown as reference, is not included with radiator purchase.

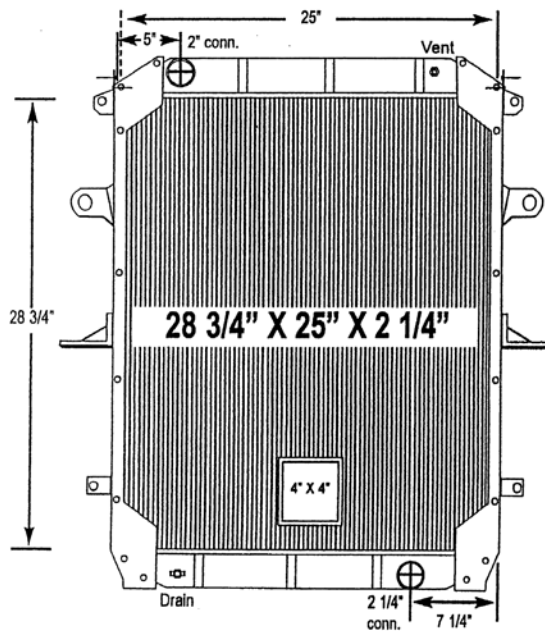
Mounting holes are located on all four corners.

Outlet tank contains an 18" oil cooler.

Verify all connection locations, sizes and core depth. O.E. core specifications are listed, replacement measurements may vary slightly.

8000-12ST Freightliner Truck

All-Metal Complete Radiator



Notes:

O.E. frame shown as reference, is not included with radiator purchase.

The 4" X 4" crank box is 4" up from the bottom header, centered.

Mounting holes are located on all four corners.

The O.E. frame must be used.

Verify all connection locations, sizes and core depth. O.E. core specifications are listed, replacement measurements may vary slightly.