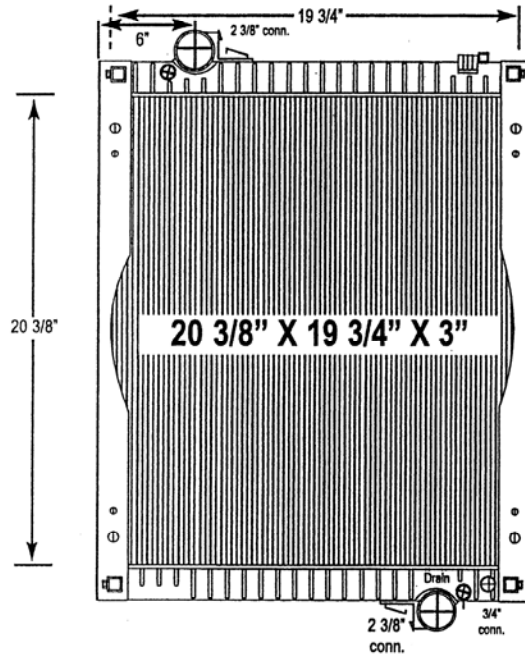


## 4100-24ST John Deere Tractor

All-Metal Complete Radiator



OE Reference Numbers:  
AL115732, AL110995  
Behr 007613, 1Z.000.20.994  
6300, 6400, 6500 Series

Notes:  
Inlet Tank- conn. contains a 1" ID Flange Fitting

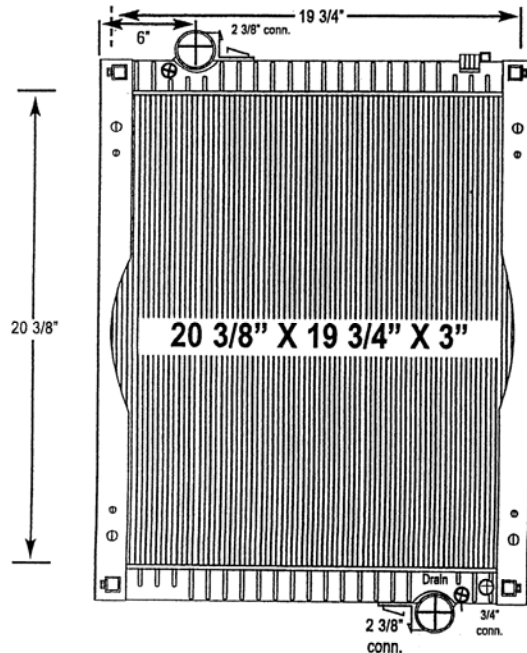
Outlet Tank- 2 3/8"conn. 6" in, 3/4" conn. 2 1/8" in from right, Drain

O.E. frame shown as reference, is not included with radiator purchase.

Verify all connection locations, sizes and core depth. O.E. core specifications are listed, replacement measurements may vary slightly.

## 4100-25ST John Deere Tractor (Feedlot / Cotton Core Style)

All-Metal Complete Radiator



OE Reference Numbers:  
AL115732, AL110995  
Behr 007613, 1Z.000.20.994  
6300, 6400, 6500 Series

Notes:  
Inlet Tank- conn. contains a 1" ID Flange Fitting  
Outlet Tank- 2 3/8"conn. 6" in, 3/4" conn. 2 1/8" in from right, Drain

O.E. frame shown as reference, is not included with radiator purchase.

Feedlot / Cotton core style features a non-louvered flat fin design.

Verify all connection locations, sizes and core depth. O.E. core specifications are listed, replacement measurements may vary slightly.