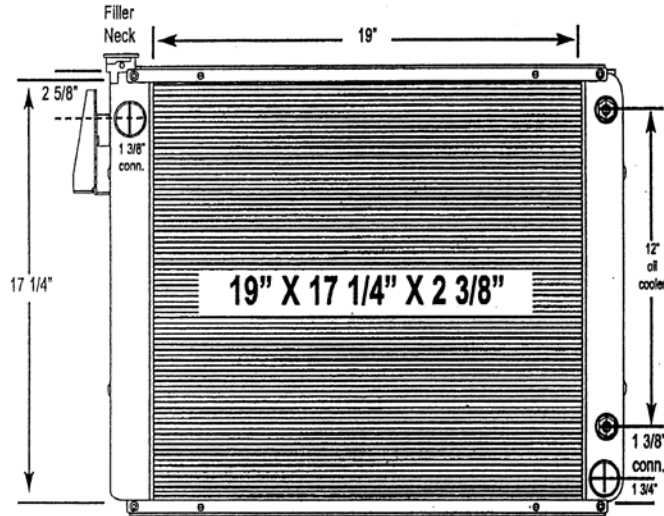


4100-18ST Hyster Lift Truck

All-Metal Complete Radiator



OE Reference Numbers:
1736545
8504627
05.2001

Notes:

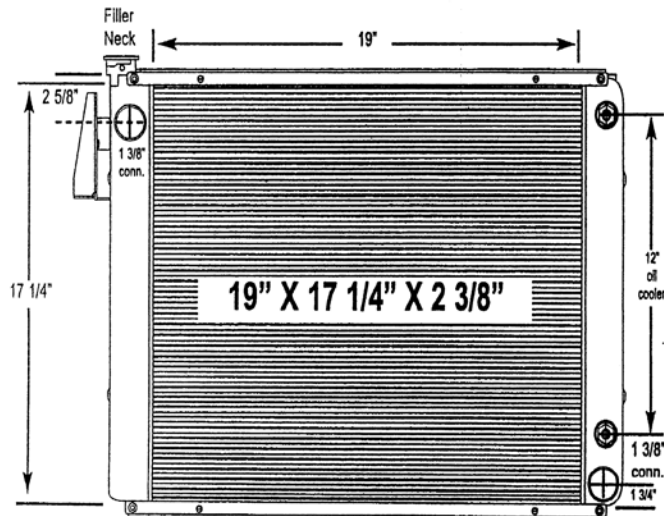
O.E. frame shown as reference, is not included with radiator purchase.

Outlet Tank contains a 12" oil cooler.

Verify all connection locations, sizes and core depth. O.E. core specifications are listed, replacement measurements may vary slightly.

4100-19ST Hyster Lift Truck (Feedlot / Cotton Core Style)

All-Metal Complete Radiator



OE Reference Numbers:
1736545
8504627
05.2001

Notes:

O.E. frame shown as reference, is not included with radiator purchase.

Outlet Tank contains a 12" oil cooler.

Feedlot / Cotton core style features a non-louvered flat fin design.

Verify all connection locations, sizes and core depth. O.E. core specifications are listed, replacement measurements may vary slightly.