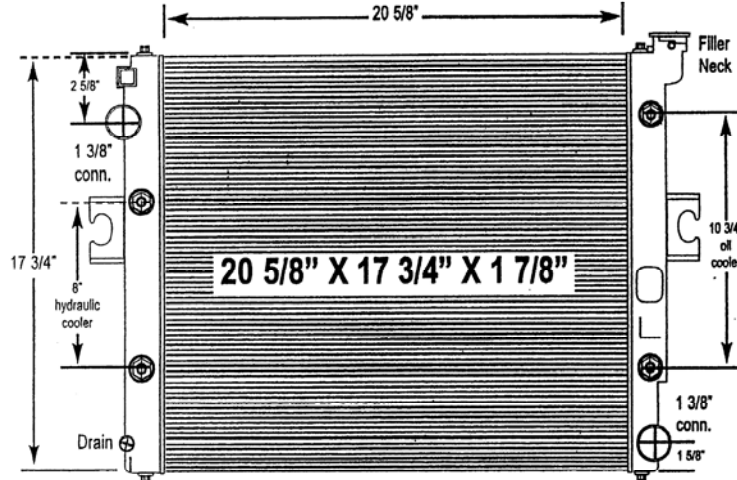


4100-08ST Toyota Lift Truck

All-Metal Complete Radiator



OE Reference Numbers:

16410-U3350-71

ACD3-00055

C201-040-0001

Notes:

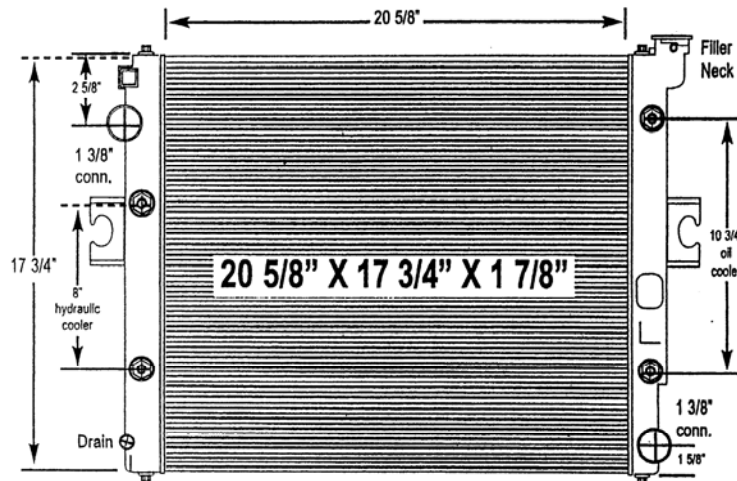
Inlet Tank contains an 8" hydraulic cooler.

Outlet tank contains a 10 3/4" oil cooler.

Verify all connection locations, sizes and core depth. O.E. core specifications are listed, replacement measurements may vary slightly.

4100-09ST Toyota Lift Truck (Feedlot / Cotton Core Style)

All-Metal Complete Radiator



OE Reference Numbers:

16410-U3350-71

ACD3-00055

C201-040-0001

Notes:

Inlet Tank contains an 8" hydraulic cooler.

Outlet tank contains a 10 3/4" oil cooler.

Feedlot / Cotton core style features a non-louvered flat fin design.

Verify all connection locations, sizes and core depth. O.E. core specifications are listed, replacement measurements may vary slightly.