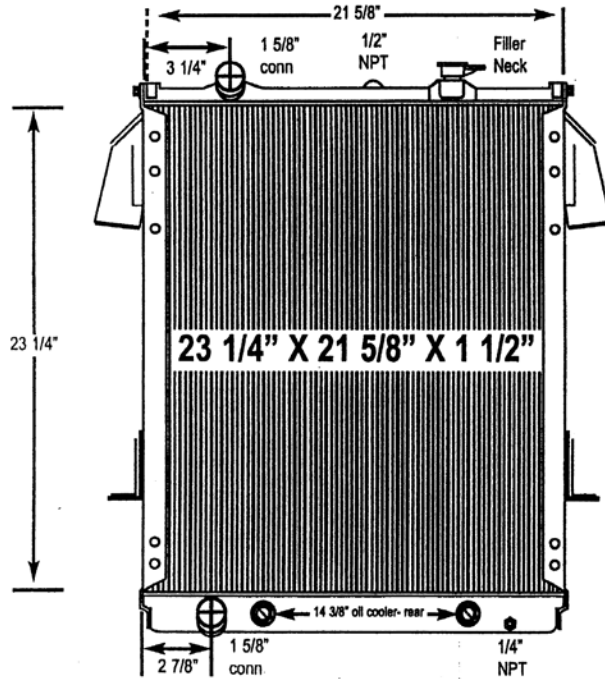


## 4100-07 Isuzu Truck

All-Metal Complete Radiator



### Notes:

O.E. frame shown as reference, is not included with radiator purchase.

O.E. frame will bolt on to radiator tanks.

14 3/8" oil cooler located on rearside of outlet tank.

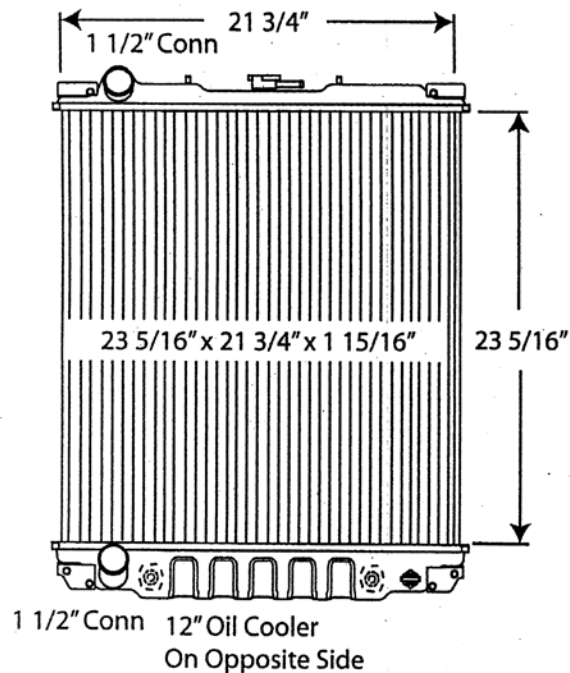
Inlet tank 1 5/8" hose conn. is angled up.

Outlet tank 1 5/8" hose conn. is angled up.

Verify all connection locations, sizes and core depth. O.E. core specifications are listed, replacement measurements may vary slightly.

## 5800-14 Isuzu Truck

All-Metal Complete Radiator



### Notes:

Verify all connection locations, sizes and core depth. O.E. core specifications are listed, replacement measurements may vary slightly.