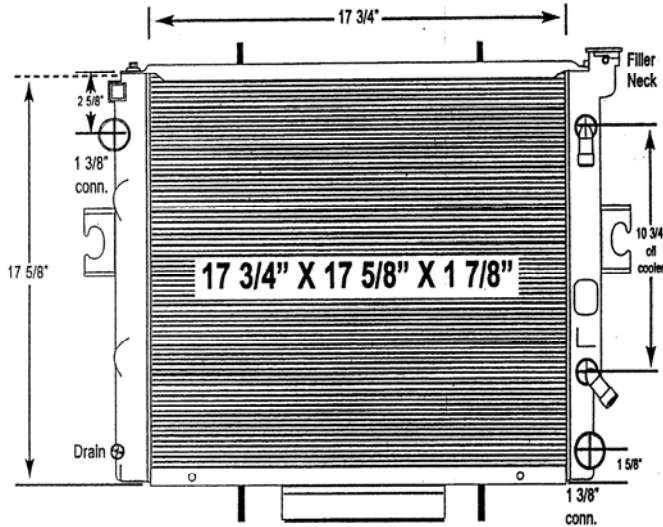


## 4100-03ST Toyota Lift Truck

All-Metal Complete Radiator



OE Reference Numbers:

16410-U2200-71

ACM9-0181

C201-037-0000-7

Notes:

O.E. frame shown as reference, is not included with radiator purchase.

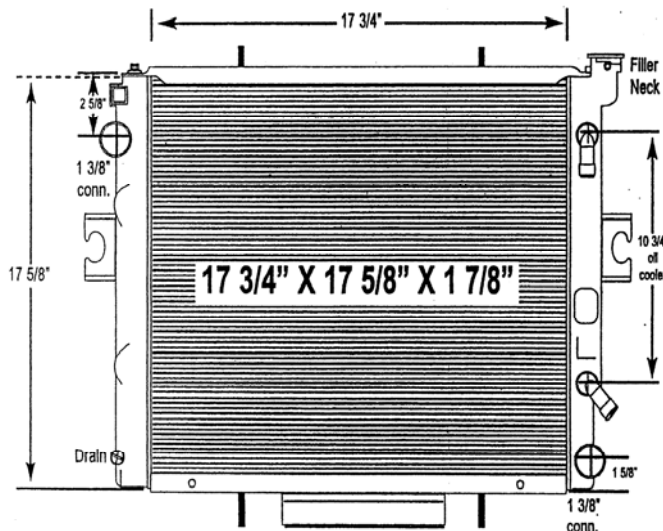
Outlet tank contains a 10 3/4" oil cooler.

Verify all connection locations, sizes and core depth. O.E. core specifications are listed, replacement measurements may vary slightly.

---

## 4100-04ST Toyota Lift Truck (Feedlot / Cotton Core Style)

All-Metal Complete Radiator



OE Reference Numbers:

16410-U2200-71

ACM9-0181

C201-037-0000-7

Notes:

O.E. frame shown as reference, is not included with radiator purchase.

Outlet tank contains a 10 3/4" oil cooler.

Feedlot / Cotton core style features a non-louvered flat fin design.

Verify all connection locations, sizes and core depth. O.E. core specifications are listed, replacement measurements may vary slightly.